

මහජන අදහස් සඳහා ප්‍රමිති කෙටුම්පත
பொதுசனக் கருத்துரைக்கான கட்டளை வரைவு
DRAFT STANDARD FOR PUBLIC COMMENT

(වෙනස්වීමට ඉඩ ඇත. திருத்தத்திற்குட்படக்கூடியது : Liable to alteration)

නිකුත් කළ දිනය
வெளியீட்டுக் திகதி
Date of Issue

} 2021-09-30

අදහස් එවිය යුතු අවසාන දිනය.
அய்யிராவகளை தெளிப்பதற்கான இறுதித்திகதி
Latest Date for Receipt of Comments

} 2021-11-30



Draft amendment No: 01 to SLS 533 : 2017
**SRI LANKA STANDARD SPECIFICATION FOR
EMULSION PAINTS FOR INTERIOR USE
(SECOND REVISION)**

ආභාන්තර ආලේප කරන ඉමල්ෂන් තීන්ත සඳහා වූ
ශ්‍රී ලංකා ප්‍රමිති පිරිවිතරයට අදාළ
සංශෝධන කෙටුම්පත් අංක : 01 (ශ්‍රී. ලං. ප්‍ර. 533: 2017)
(දෙවන සංශෝධනය)

මෙම කෙටුම්පත ශ්‍රී ලංකා ප්‍රමිතියක් ලෙස නොසැලකිය යුතු මෙන් ම භාවිතා නොකළ යුතු ද වේ.
இவ்வரைவு இலங்கைக் கட்டளையொளக் கருதப்படவோ அன்றிப் பிரயோகிக்கப்படவோ கூடாது
This draft should not be regarded or used as a Sri Lanka Standard.

අදහස් එවිය යුත්තේ : ශ්‍රී ලංකා ප්‍රමිති ආයතනය, 17, වික්ටෝරියා පෙදෙස, ඇල්විටිගල මාවත, කොළඹ 08.

Comments to be sent to: SRI LANKA STANDARDS INSTITUTION, 17, VICTORIA PLACE,
ELVITIGALA MAWATHA, COLOMBO 08.

හැඳින්වීම

මෙම ශ්‍රී ලංකා ප්‍රමිති කෙටුම්පත , ශ්‍රී ලංකා ප්‍රමිති ආයතනය විසින් සකසන ලදුව, සියලුම උදෙසාම අංශ වලට තාක්ෂණික විවේචනය සඳහා යටත් ලැබේ.

අදාළ අංශ භාර කමිටු මාර්ගයෙන් ආයතනයේ මහා මණ්ඩල වෙත ඉදිරිපත් කිරීමට පෙර , ලැබෙන සියලුම විවේචන ශ්‍රී ලංකා ප්‍රමිති ආයතනය විසින් සලකා බලා අවශ්‍ය වෙනස් කෙටුම්පත සංශෝධනය කරනු ලැබේ.

මෙම කෙටුම්පතට අදාළ යෝජනා හා විවේචන නියමිත දිනට පෙර ලැබෙන්නට සැලැස්වුවහොත් අගය කොට සලකනු, තවද, මෙම කෙටුම්පත පිළිගත හැකි බැව් හැඟෙන අය ඒ බව දන්වන්නේ නම් එය ආයතනයට උපකාරී වනු ඇත.

මෙ පිළිබඳව එවන සියලුම ලිපි සහන සඳහන් ලිපිනයට එවිය යුතුය.

අධ්‍යක්ෂ ජනරාල්
ශ්‍රී ලංකා ප්‍රමිති ආයතනය,
17, වික්ටෝරියා පෙදෙස,
ඇල්විගල මාවත,
කොළඹ 08.

XX

Introduction

This Draft Sri Lanka Standard has been prepared by the Sri Lanka Standards Institution and is now being circulated for technical comments to all interested parties.

All comments received will be considered by the SLSI and the draft if necessary, before submission to the Council of the Institution through the relevant Divisional Committee for final approval.

The Institution would appreciate any views on this draft which should be sent before the specified date. It would also be helpful if those who find the draft generally acceptable could kindly notify us accordingly.

All Communications should be addressed to:

The Director General
Sri Lanka Standards Institution,
17, Victoria Place,
Elvitigala Mawatha,
Colombo 08.

DRAFT AMENDMENT NO: 01 TO SLS 533: 2017

**SRI LANKA STANDARD SPECIFICATION FOR EMULSION PAINTS FOR
INTERIOR USE (Second Revision)**

Draft for Public Comments Only

SRI LANKA STANDARDS INSTITUTION

Draft Amendment No: 01 approved on to SLS 533 : 2017

SRI LANKA STANDARD SPECIFICATION FOR EMULSION PAINTS FOR INTERIOR USE (Second Revision)

2 REFERENCES

Delete “ASTM D 2486 Standard Test Methods for Scrub Resistance of Wall Paints”

Insert the following after SLS 523 Methods of sampling of paints, varnishes and raw materials for paint and varnishes

“SLS 554 Laundry soap”

4 REQUIREMENTS

TABLE 1 : Other requirements for emulsion paints for exterior use

Delete the S. No. v) given in Table 1 and substitute the following:

| “Sl. No (1) | Characteristic (2) | Requirement (3) | Method of test (4) |
|------------------------|-------------------------------|----------------------------|-------------------------------|
| v) | Resistance to wet abrasion | To pass the test | Appendix H” |

6 METHOD OF TEST

Delete the letter “G” and substitute the letter “H” given in Clause 6.1.

Delete the “ASTM D 2486” given in Clause 6.1.

Insert the following Appendix H at the end of Appendix G.

“APPENDIX H DETERMINATION OF RESISTANCE TO WET ABRASION

H.1 PRINCIPLE

The painted panels are subjected to wet rubbing in the abrasion test apparatus at a specified speed and load of the brush. The panels are examined at the end of the stipulated oscillations for film defects.

H.2 APPARATUS

H.2.1 Wet abrasion tester, as shown in Figure 1 and having the following accessories :

- a) Washing unit, of such a construction as to hold the brush in a box or holder which moves backwards and forwards in a straight line across the test panels at the rate of 38 ± 2 strokes per minute. The trays shall be watertight to hold the panels.
- b) Brush, a pad made out of polyurethane foam of density 25 kg/m^3 and of size $85 \text{ mm} \times 36 \text{ mm} \times 12 \text{ mm}$. The total mass of the brush and the holder shall be 500 g .
- c) Fractional horse power motor, of suitable speed to regulate the oscillations of the brush.

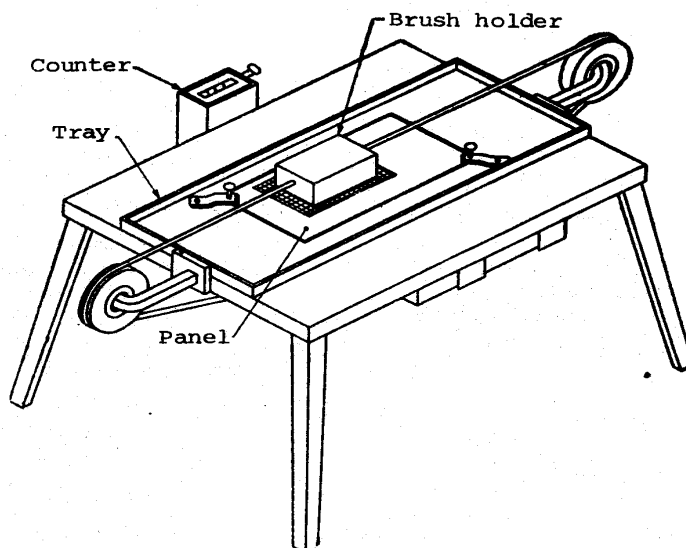


FIGURE 1 - Wet abrasion tester

H.3 REAGENTS

H.3.1 Soap solution

Dissolve 0.5 g of laundry soap (conforming to SLS 554) weigh to the nearest 0.001 g (previously dried at $105 \pm 2^\circ \text{C}$ for 30 minutes) in distilled water to give $0.5 \text{ per cent (m/v)}$ solution.

H.4 PROCEDURE

H.4.1 Preparation of the panel

Clean a glass panel 415 mm x 120 mm in size conforming to **SLS 1256 : Part 11:Section 1**. Apply a coat of the undercoating enamel using a film applicator as specified in **SLS 1256 : Part 11: Section 2** give a wet film thickness of 35 μm to 38 μm and store at 120 $^{\circ}\text{C}$ for 30 minutes. Rub down with an emery paper and wipe until the gloss is removed completely. Apply a coat of the material by brushing over the dried undercoat to give a wet film thickness of 150 μm . Allow this to air dry for 168 hours.

H.4.2 Dip the brush in distilled water at $25 \pm 2^{\circ}\text{C}$ for 30 minutes, to a depth of 12 mm. Shake off excess water and soak in the soap solution for 5 minutes. Fix the painted test panel in the tray in position with painted surface upwards. Fix the brush in its holder having a total load of 0.5 kg and adjust the stroke in such a way that not less than 10 mm of the film is left free on both ends. Start the oscillations of the brush. Keep the panel wet by adding soap solution at the rate of 10 to 12 drops per minute in the path of the brush. At the end of 4 000 oscillations remove the panel. Wash with water, allow to dry, and examine the film for any defects.

H.4.3 The material shall be deemed to have passed the test if the material does not show film defects like blistering, exposure of undercoat and colour fading”.

.....