

Amendment No. 1 to SLS 659: 2015 approved on 2019-04-03.

Sri Lanka Standard Specification for unplasticized poly (vinyl chloride) fittings for water supply and for buried and above ground drainage and sewerage under pressure

Page 07

5.3.1 Nominal Diameters

Delete existing sub clause **5.3.1** and substitute with the following;

“ 5.3.1 Nominal diameters

The nominal inside diameter(s), dn, of a fitting shall correspond to, and be designated by, the nominal outside diameter(s) of the pipe(s) for which the fitting is designed.

The Minimum wall thickness of injection moulded fittings shall be 3.0 mm”

5.3.2.2 Diameters, laying lengths, bend radii and angles

Add following under note;

“For laying length of reducing sockets, reducing sockets (shorts bush type), reducing tees, reducing elbows refers Appendix B”

Page 08

Table 1

Delete existing foot note (a) and (b)

Add the following “See figure 1”

Page 17

Delete the existing Figure 10

Add the following

“d₁ - Diameter of the complete circle.

Curvature of the tapping saddles shall be same as that of the pipe on which saddle is mounted. Measurement of the internal diameter of the tapping saddle shall be made accordingly.

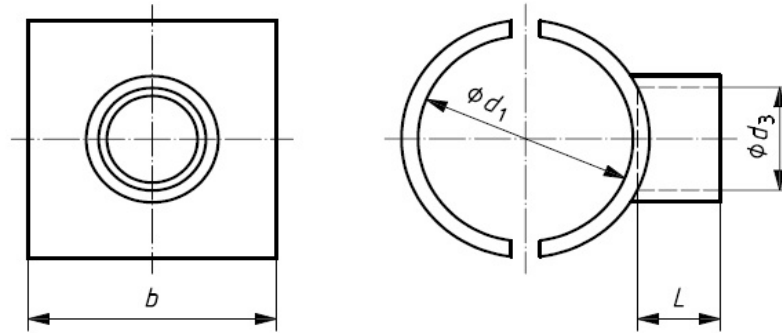


FIGURE10 - Typical socket saddle with solvent cement type socket”

Page 31

6.1 Marking on fittings

Add following to the sub **clause 6.1**

e) Intended use as “W/P”

Note:

W-Drinking water supply, Pressure

P- Drainage and Sewerage, Pressure

Page 36

Incorporate the following as **Appendix B**.

APPENDIX B

LAYING LENGTHS OF REDUCING SOCKETS, REDUCING TEES AND REDUCING ELBOWS

B.1 The laying lengths of reducing socket, reducing tees and reducing elbows shall be as given in Table 23 (a), 23 (b), 24 and 25 respectively.

TABLE 23 (a) – Laying length of reducing sockets (see Figure 25 a)

MINOR DIAMETERS JOINTING (d ₁)	MAJOR DIAMETERS OF JOINTING (d ₂)										
	2	3	4	5	6	7	8	9	10	11	12
	25	32	40	50	63	75	90	110	125	140	160
	Laying Lengths (Z)										
	±1		± 1.5				± 2				
20	6	8	10	15							
25		8	10	13	20						
32			10	13	17	21					
40				13	17	19	25				
50					17	19	23	30			
63						19	23	27	32		
75							23	27	32	35	
90								27	32	35	40
110									32	35	40
125										35	40
140											40

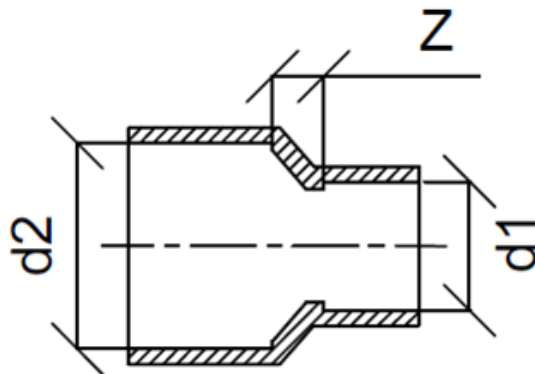


FIGURE 25 (a)

TABLE 23 (b) – Laying length of reducing sockets (shorts bush type) (see Figure 25 b)

Size (mm) (1)	Laying length (mm) (Z) (2)
25 x 20	3 +1 -1
32 x 20	3 +1.6 -1
32 x 25	3 +1.6 -1
40 x 20	3 +2 -1
40 x 25	3 +2 -1
40 x 32	3 +2 -1
50 x 32	3 +2 -1
50 x 40	3 +2 -1
63 x 32	3 +2 -1
63 x 40	3 +2 -1
63 x 50	3 +2 -1
75 x 63	4 +2 -1
90 x 75	5 +2 -1

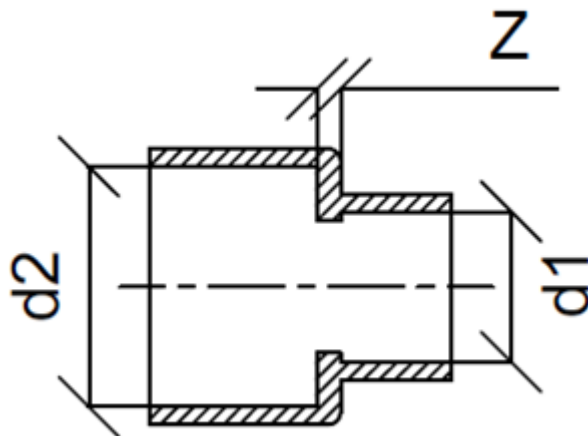


FIGURE 25 b

TABLE 24 – Laying length of reducing tees (see Figure 26)

Size (mm)	Laying length (Z)
25 x 20	13.5 +1.2 -1
32 x 20	17 +1.6 -1
32 x 25	17 +1.6 -1
40 x 20	21 +2 -1
40 x 25	21 +2 -1
40 x 32	21 +2 -1
50 x 20	26 +2.5 -1
50 x 25	26 +2.5 -1
50 x 32	26 +2.5 -1
50 x 40	26 +2.5 -1
63 x 25	32.5 +3.2 -1
63 x 32	32.5 +3.2 -1
63 x 40	32.5 +3.2 -1
63 x 50	32.5 +3.2 -1
75 x 32	38.5 +4 -1
75 x 40	38.5 +4 -1
75 x 50	38.5 +4 -1
75 x 63	38.5 +4 -1
90 x 40	46 +5 -1
90 x 50	46 +5 -1
90 x 63	46 +5 -1
90 x 75	46 +5 -1

110 x 50	56 +6 -1
110 x 63	56 +6 -1
110 x 75	56 +6 -1
110 x 90	56 +6 -1
160 x 110	81 +7 -1

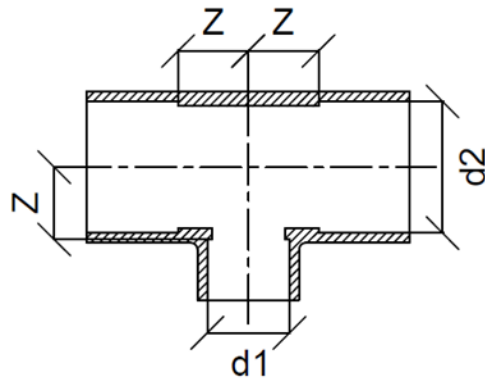
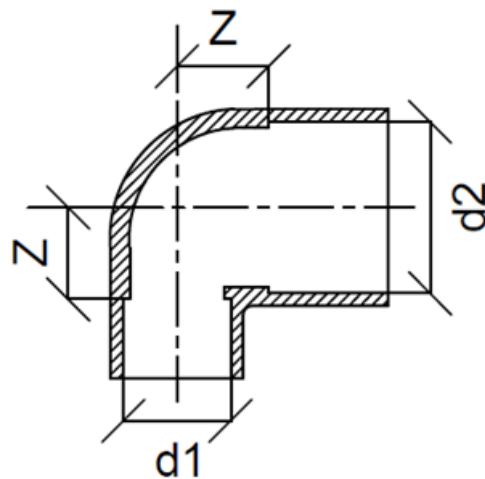


FIGURE 26

TABLE 25 – Laying length of reducing elbows (see Figure 27)

Size	Laying length (Z)
mm	mm
25 x 20	13.5 +1.2 -1
32 x 20 32 x 25	17 +1.6 -1
40 x 20 40 x 25 40 x 32	21 +2 -1
50 x 32 50 x 40	26 +2.5 -1
63 x 32 63 x 40 63 x 50	32.5 +3.2 -1
75 x 40 75 x 50	38.5 +4 -1
75 x 63	38.5 +4 -1
90 x 50 90 x 63	46 +5 -1
90 x 75	46 +5 -1

**FIGURE 27-Reducing Elbow**